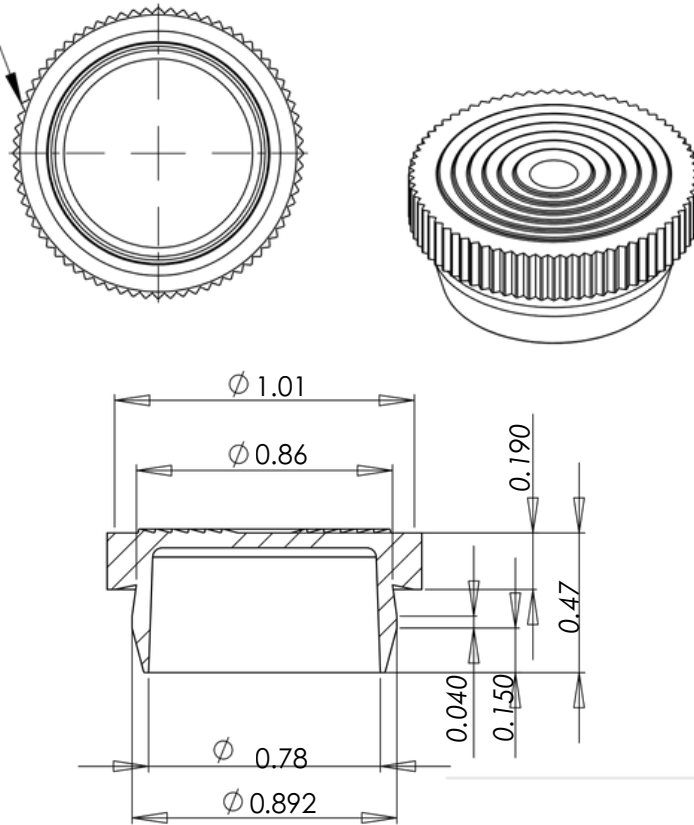


2114: 24 MM Closure with Rings

72 EQUALLY SPACED FLUTES



Top is fabricated of LDPE (Advise color required)

LDPE (low density polyethylene) is a soft, flexible, lightweight plastic material.

LDPE is noted for its low temperature flexibility, toughness, and corrosion resistance. It is not suited for applications where stiffness, high temperature resistance and structural strength are required.

LDPE has good chemical and impact resistance.