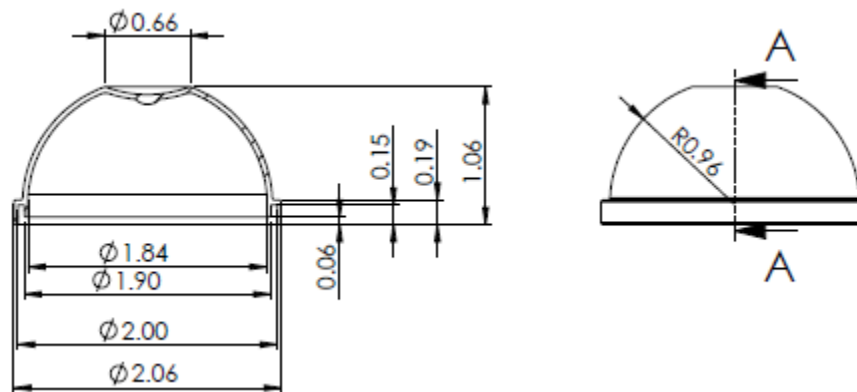


2071: Mixing Container Lid



Mixing Containers

- Material is fabricated of Polypropylene (natural).
- Dosage cups / mixing containers provide ease of transporting and dispensing of liquid medications, crushed medications and tablets.

Mixing Container Base: 2072 (order separate)

Hudson Valley Plastics 85 Charles Colman BLVD Pawling NY 12564 P: 845-855-1201 hudsonvalleyplastics.com
Manufacturer reserves the right to make design and dimension changes without notice. Drawings are not drawn to scale.

SPK.2071.06-28-24. R1