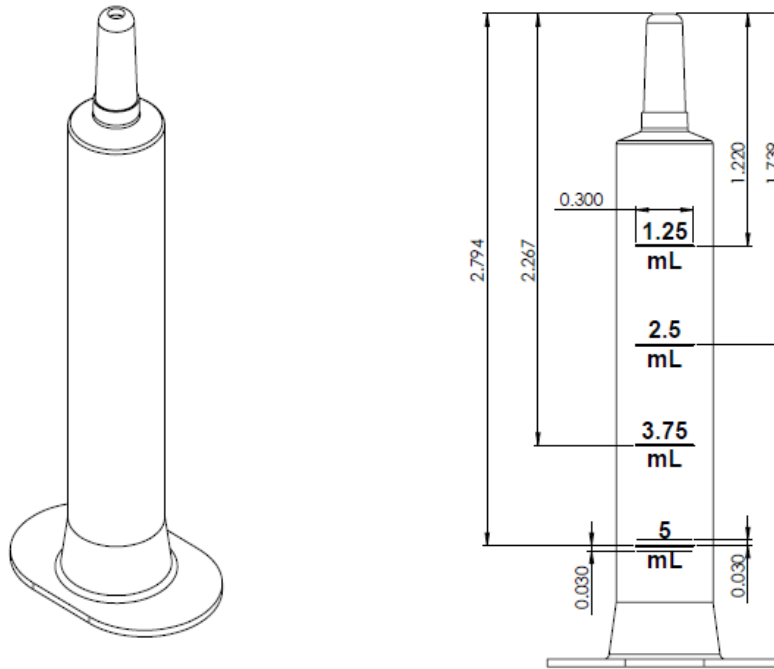


2284-1: Printed Oral Syringe Body / Barrel 1.25 - 5mL



Printed Oral Syringe

Oral Syringe is fabricated of Polypropylene (PP) natural.

Printed markings provide improved visibility for dosage directions. Printing is applied to the outside of the syringe staying out of contact with medication.

Graduation markings are indicated in **mL**: Milliliters

Syringe Plunger must be ordered separately.

Hudson Valley Plastics 85 Charles Colman BLVD Pawling NY 12564 P: 845-855-1201 hudsonvalleyplastics.com
Manufacturer reserves the right to make design and dimension changes without notice. Drawings are not drawn to scale.

SPK.2284-1. 06-28-24. R1