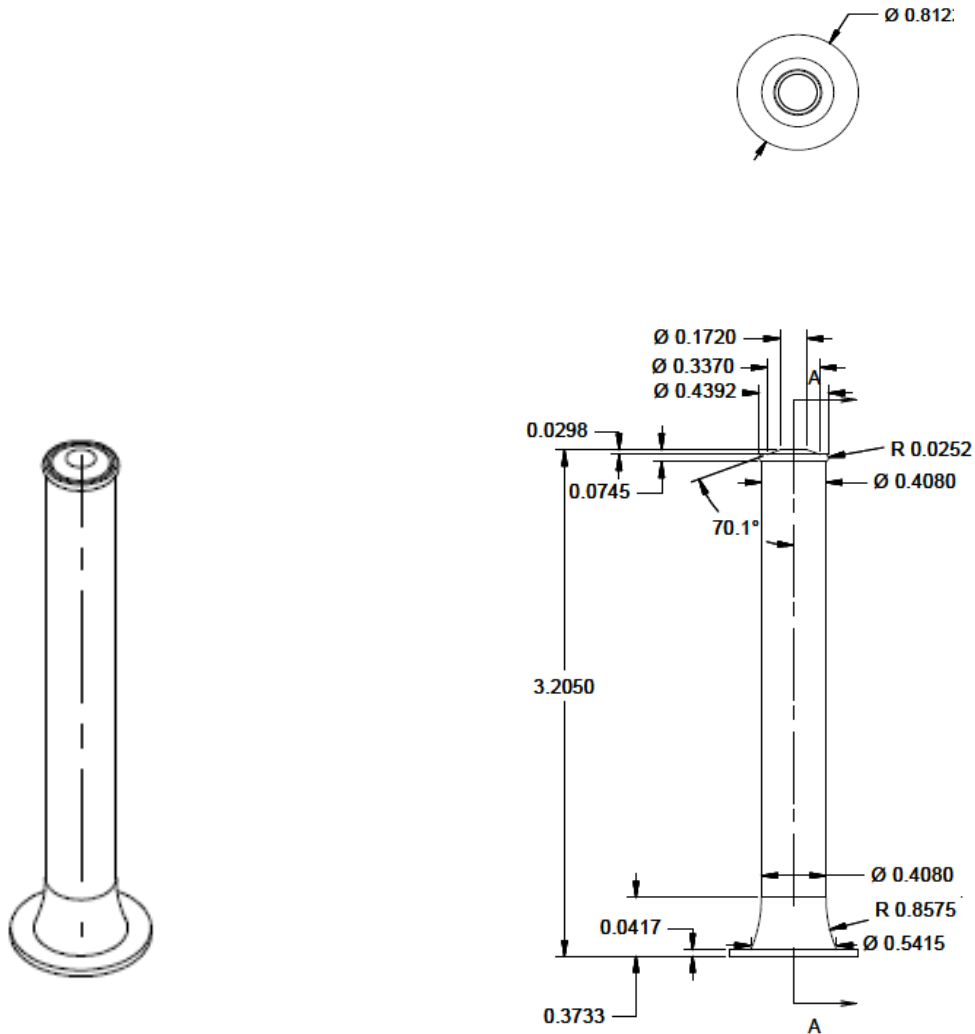


2284-2: 5mL Oral Syringe Plunger



Oral Syringe Plunger

Plunger is fabricated of Polypropylene (white standard, other colors available upon request) is washable and can be used again.

Plunger must be ordered separately.

Hudson Valley Plastics 85 Charles Colman BLVD Pawling NY 12564 P: 845-855-1201 hudsonvalleyplastics.com
Manufacturer reserves the right to make design and dimension changes without notice. Drawings are not drawn to scale.