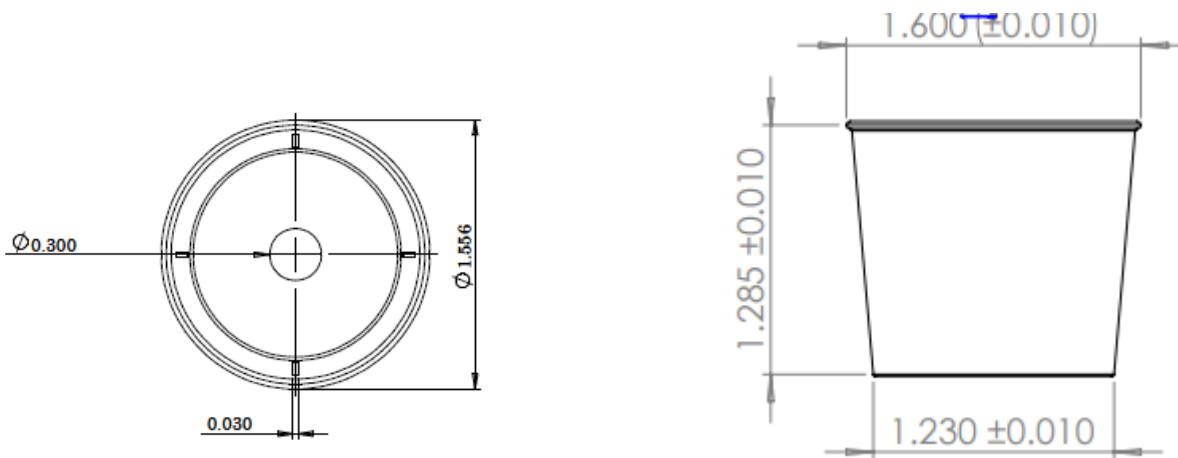


Part 2290: Blank Ribbed Printable Round Cup to Fit 20mm Cap



Printable Cups:

- Blank Cups can be printed with logos, dosages and directions.
- Material is fabricated of Polypropylene, natural.
- Printing is applied to the outside of cup avoiding direct contact with medication.
- Ribbed design provides maximum friction locking force to 20mm cap containers.
- Printed markings provide an improved visibility for dosage directions.
- Graduation Markings are indicated in **mL, TSP, TBLSP**

Hudson Valley Plastics 85 Charles Colman BLVD Pawling NY 12564 P: 845-855-1201 hudsonvalleyplastics.com
Manufacturer reserves the right to make design and dimension changes without notice. Drawings are not drawn to scale.

SPK.2290.7-25-23.REV1